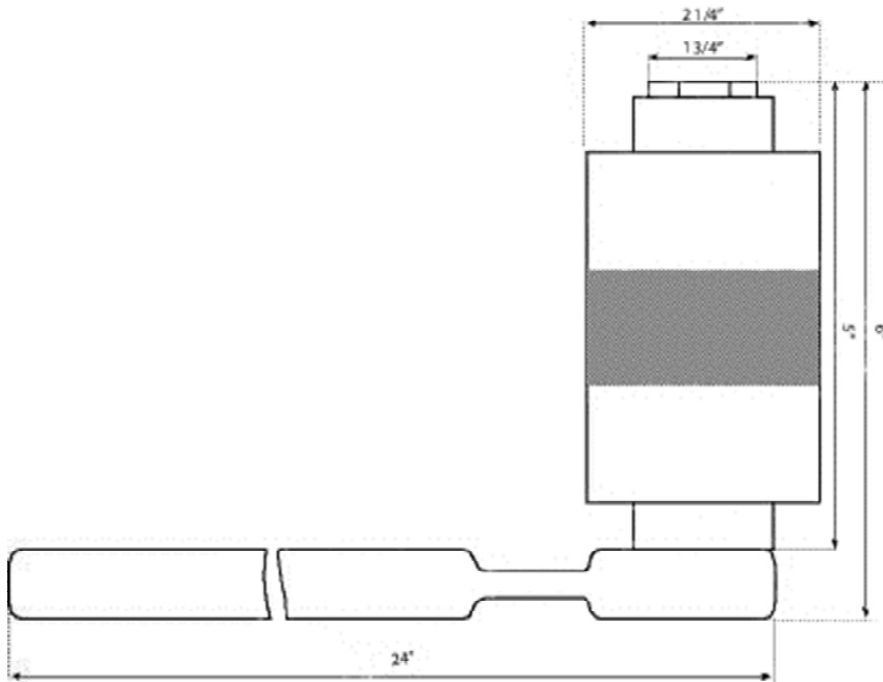


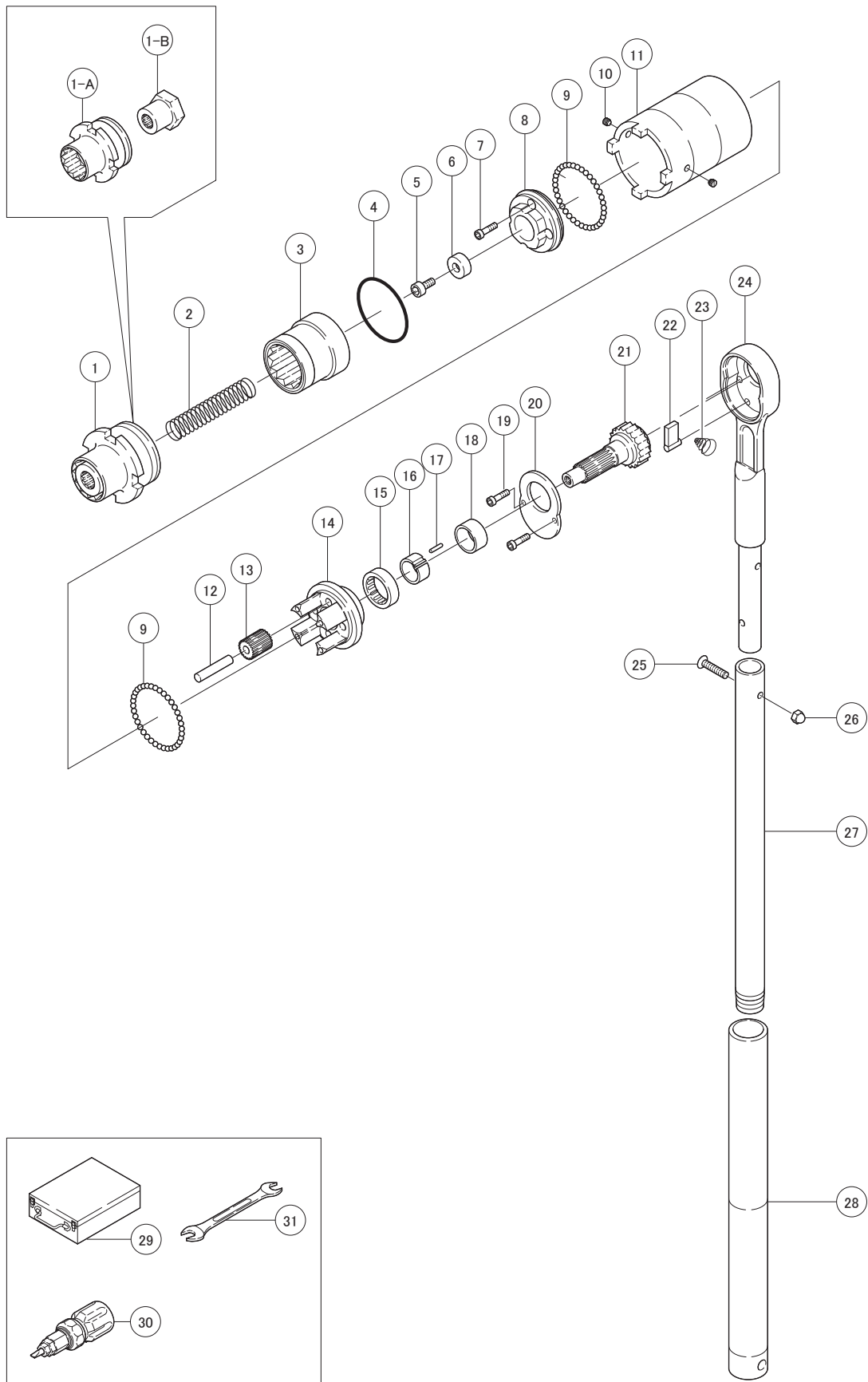
Model S-20HAZ

Specification & Dimensions (Inch)



	LeJeune Bolt Company	Accessories & Sockets
Model	S-20HAZ	(1) Screw Driver (For Socket) (1) Metal Case (1) Instruction Manual (1) Tool Includes One Socket Set
Frequency	n/a	Available Standard Sockets 0H5N - 5/8" Inner Socket 0HM16 - 5/8" Outer Socket 0H6N- 3/4" Inner Socket 0HM20 - 3/4" Outer Socket
Voltage (Single Phase)	n/a	
Max. Current	n/a	
Max. Power	n/a	
Rated Max. Torque	n/a	
Rated No-load Speed	n/a	
Noise & Vibration Level	n/a	
Adaptable Bolt	F1852 & F2280 TC 5/8", 3/4"	
Weight	9.0 lbs.	
Comments	One Sided, one man installation; Manual operation; low maintenance; Quiet, non-impacting operation; No tool or air compressor calibration; Reduced operator fatigue.	
Extension cord	n/a	LeJeune Bolt Company 3500 West Highway 13, Burnsville, MN 55337 800-872-2658
Product Identification	n/a	3655 Placentia Court, Chino, CA 91710 877-684-4091
Remarks		www.lejeunebolt.com www.tightenright.com

TONE TONE CO., LTD.



Part No.	Use	Description	Qty
S20Z/2	S20/2	Inner Socket Spring	1
S20Z/3	S20/3	Inner Socket Holder	1
S20Z/4	S20/4	O-Ring P46	1
S20Z/5	S20/5	HSH Screw (CCW)	1
S20Z/6	S20/6	Stepped Bush 3.1 x 17 x 8	1
S20Z/7	S20/7	HSH Reamer Bolt	4
S20Z/8	S20/8	Spider	1
S20Z/9	S20/9	Steel Ball 5/32"	74
S20Z/10	S20/10	Set Screw	2
S20Z/11	S20/11	Internal Gear	1
S20Z/12	S20/12	Gear Pin 6.5 x 33	4
S20Z/13	S20/13	Idle Gear	4
S20Z/14	S20/14	Cage	1
S20Z/15	S20/15	Metal Sleeve TA-2210	1
S20Z/16	S20/16	Clutch Ring	1
S20Z/17	S20/17	Needle Roller 2.5 x 9.8	1
S20Z/18	S20/18	Metal Sleeve IRT-1710-2	1
S20Z/19		T10 Torx Screw	2
S20Z/20		Ratchet Cover	1
S20Z/21		Pinion Gear	1
S20Z/22		Ratchet Pawl	1
S20Z/23		Ratchet Spring	1
S20Z/24		Ratchet Handle	1
S20Z/25	S20/28	SHM Screw M5 x 25	1
S20Z/26	S20/25	Dome Nut M5 x .83	1
S20Z/27	S20/26	Handle Dia 22 (Thin)	1
S20Z/28	S20/27	Handle Dia 27 (Thick)	1
S20Z/29	S20/29	Metal Case	1

ANY PART NOT LISTED IS A COMPONENT OF AN
ASSEMBLY AND IS NOT SOLD SEPARATELY