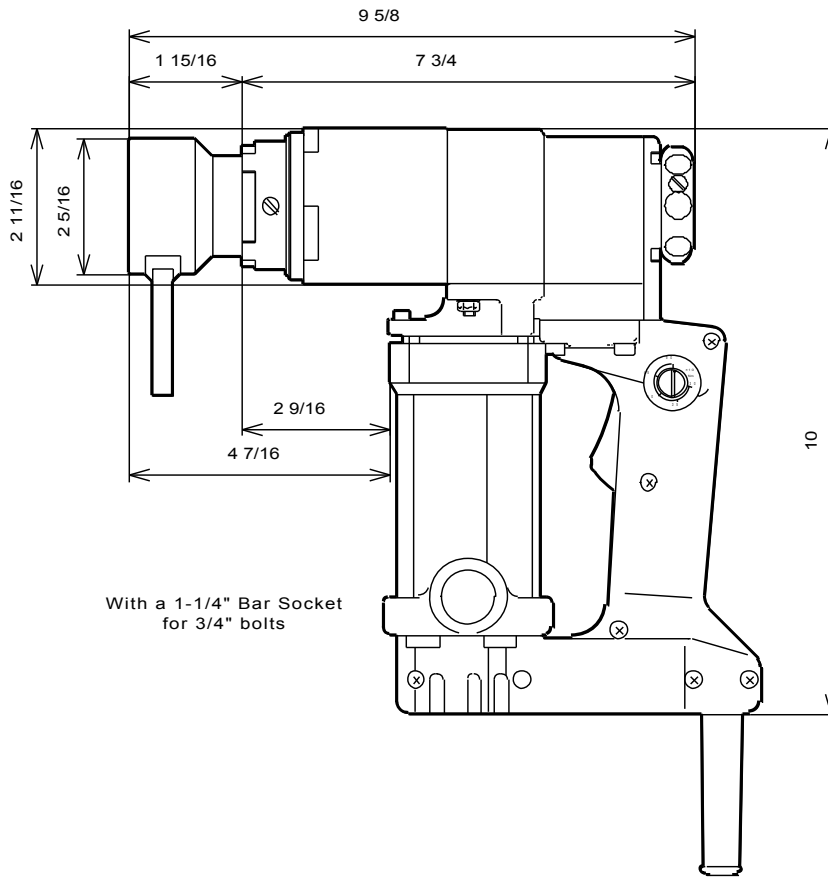


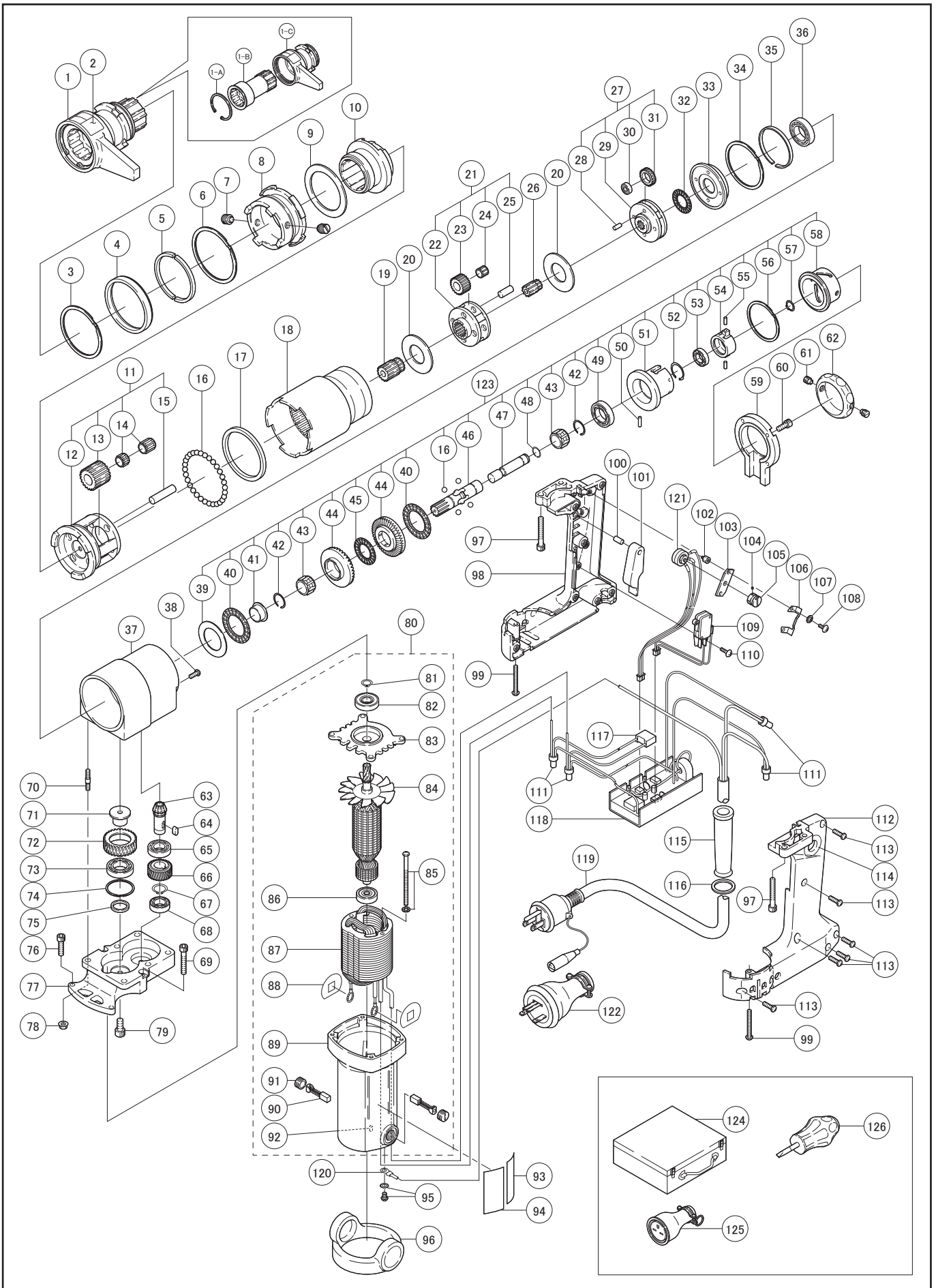
Model SR51E

Specification & Dimensions (Inch)



LeJeune Bolt Company		Accessories & Sockets
Model	SR51E	(1) Screw Driver (1) Metal Case (1) Instruction Manual (1) Bar Socket
Frequency	50-60Hz	
Voltage	115V	
Max. Current	13.5A	Available Bar Sockets
Max. Power	1100W	MRU27T - 5/8"
Rated Max. Torque	370ft.lbs.	MRU32T - 3/4"
Controllable Torque	220 ft.lbs. ~ 370 ft.lbs.	MRUB46Z - 7/8"
Repeated Accuracy	±5%	MRU41T - 1"
Rated No-load Speed	25min <sup>-1</sup>	
Noise Vibration Level	Sound Pressure Level 84dB(A), Sound Power Level 95dB(A) Vibration Level 2.5m/s <sup>2</sup> or below	
Fully Tensioned	A325 - 5/8", 3/4" / A490 - 5/8"	
Snug Tight	A325 - 7/8, 1" / A490 - 3/4", 7/8, 1"	
Weight	11.2 lbs.	
Extension cord	Refer to Instruction Manual	LeJeune Bolt Company 3500 West Highway 13, Burnsville, MN 55337 800-872-2658
Product Identification	As Rating Plate	3655 Placentia Court, Chino, CA 91710 877-684-4091
Remarks	Warm up procedure with no-load should be carried out at least 5 minutes before operation.	www.lejeunebolt.com www.tightenright.com

TONE TONE CO., LTD.



Part No.	Tone Code	Description	Qty	Part No.	Tone Code	Description	Qty
2	Y69300	BAR SKT WARNING LABEL	1	68	EB6801	METAL SLEEVE 6801	1
3	EM015M	SPIROLOX FRS-56	1	69	Y44030	HSH BOLT M4X30	2
4	EM015M1	SPIRO STOPPER	1	70	E666	STUD BOLT	2
5	EM015M2	SUB SPIRO STOPPER (PACK OF 2)	1	71	EM060	IDLE PIN	1
6	EM016	SPIROLOX RR-243	1	72	EM061	MOTOR IDLE GEAR	1
7	E617	SET SCREW	2	73	EB6902	METAL SLEEVE 6902	1
8	EM018M	OUTER SOCKET HOLDER	1	74	EM063	SPIROLOX FRR-28	1
9	EM019	BUSH 47X61.5X2	1	75	EGM666	BUSH 15X19X2.6	1
10	EM020M	INNER SOCKET HOLDER ASS'Y	1	76	Y44025	HSH BOLT M4X20	2
11	EM023MA	3RD IDLE GEAR ASS'Y	1	77	Y69973	BRACKET	1
12	EM023M	3RD CAGE	1	78	E673	E-NUT M5	2
13	EM028	3RD IDLE GEAR	4	79	EGM667	HSH BOLT M5X12	1
14A	EM029A	NEEDLE CAGE KT91210	4	80A	E6991A	MOTOR ASS'Y 115V	1
14B	EM029B	NEEDLE CAGE KT91213	4	80B	E69922A	MOTOR ASS'Y 220V	1
15	EM030M	3RD GEAR PIN	4	81	EGM03M	RETAINING RING C-TYPE DIA 9	1
16	E627	STEEL BALL 7/32" (31PCS + 4PCS)	35	82	EB629DD	METAL SLEEVE 629DD	1
17	EM026	BUSH 53X61.7X4	1	83	E61021	METAL SLEEVE BRACKET	1
18	EM031M	INTERNAL GEAR	1	84	E6103A	ARMATURE 115V	1
19	EM032M	3RD PINION GEAR	1	84	E61033A	ARMATURE 220V	1
20	EM033	BUSH 22.1X44X2	2	85	Y44873	CRPH SCREW M4X65 W/H WASHER	2
21	EM034A	2ND IDLE GEAR ASS'Y	1	86	EB627ZZ	METAL SLEEVE 627ZZ	1
22	EM034	2ND CAGE	1	87A	E6106A	STATOR 115V	1
23	EM035	2ND IDLE GEAR	4	87B	E61063A	STATOR 220V	1
24	EM036	NEEDLE CAGE KT81110	4	88	Y55105	INSULATING WASHER	2
25	EM037	2ND GEAR PIN	4	89A	E6107A	STATOR SPIDER ASS'Y 115V	1
26	EM038	2ND PINION GEAR	1	89B	E610722A	STATOR SPIDER ASS'Y 220V	1
27	EM040A	1ST IDLE GEAR ASS'Y	1	90	E6114	CARBON BRUSH	2
28	EM043	1ST GEAR PIN	4	91	E6115	BRUSH CAP	2
29	EM040	1ST CAGE	1	92	E895	RUBBER PLUG	1
30	EB694	METAL SLEEVE 694	4	93	Y08580	WARNING LABEL	1
31	EM041	1ST IDLE GEAR	4	94A	Y74145	RATING PLATE 115V	1
32	E652	METAL SLEEVE NTB1528	1	94B	Y74147	RATING PLATE 220V	1
33	EM045	FRICITION DISK	1	95	Y44855	CRPH SCREW M4X6 W/H WASHER	1
34	E654	SPIROLOX RR-206	1	96	E6116	CUSHION RUBBER	1
35	EM047R	SPIRO WASHER	1	97	IW18	HSH BOLT M5X35	4
36	EB6903	METAL SLEEVE 6903	1	98	Y73950	GRIP	1
37	EGR540	HOUSING	1	99	EGM668	CRPH SCREW M4X35	2
38	Y44830	CRPH SCREW M4X10	4	100	EM095	PIN H7B 5X18	1
39	E156	THRUST WASHER AS2542	1	101	EM096	SWITCH LEVER	1
40	E155	METAL SLEEVE NTB2542	2	102	Y73400	SPACER SQ-5	2
41	EGR539	STEPPED BUSH 14.55X22X8.3	1	103	Y73650	SET BOARD	1
42	EGR544	CIRCLIP IKO WR15	2	104	Y46133	CAVITY HSH SET SCREW M2.6X3	2
43	EGR547	NEEDLE CAGE KT151910	2	105	Y73660	DIAL	1
44	EGR548	BEVEL GEAR	2	106	Y73670	SET SPRING	1
45	EGR551	METAL SLEEVE NTB1831	1	107	Y44307	SPRING WASHER M3	2
46	EGR549	1ST PINION GEAR	1	108	Y46116	CRPH SCREW M3X6	2
47	EGR557	CHANGE SPOOL	1	109	Y65883	TRIGGER SWITCH V-215-1CL6	1
48	EGR558	CIRCLIP IKO WR10	1	110	Y44715	CRPH SCREW M3X14	2
49	EB6902	METAL SLEEVE 6902	1	111	Y28340	INSULATED CONNECTOR 2-SD	4
50	EGR555	NEEDLE PIN 3X11.8A	1	112	Y73960	GRIP COVER	1
51	EGR554	SPOOL GUIDE	1	113	Y44860	CRPH SCREW M4X14	7
52	EGR559	RETAINING RING C-TYPE IRTW-19	1	114A	Y74133	GRADUATION LBF.FT	1
53	511-1020	METAL SLEEVE 6800	1	114B	Y74130	GRADUATION N.M	1
54	EGR561	SPOOL HOLDER	1	115	EM21092	CORD ARMOUR	1
55	EGR562	GUIDE PIN	2	116	EM2110	CORD ARMOUR WASHER	1
56	EM053	SPIROLOX FRR-45	1	117	E6121	CONDENSER PAB 104	1
57	Y40010	RETAINING RING C-TYPE DIA 10	1	118A	Y65880	CONTROL BASE ASS'Y 115V	1
58	EGR564	CHANGE DRUM	1	118B	Y65888	CONTROL BASE ASS'Y 220V	1
59	EGR565	HOUSING COVER	1	119A	EM054H1	CORD ASS'Y 115V	1
60	EGM653	HSH BOLT M4X12	4	119B	EM054H2	CORD ASS'Y 220V	1
61	EGR568	CLICK PLUNGER ASS'Y	2	120	Y30910	INSULATED TERMINAL TMEV2-4	1
62	Y73610	CHANGE GRIP	1	121	Y23603	VOLUME ASS'Y RV16YN	1
63	E676	PINION BEVEL GEAR	1	122	E6127	PLUG 220V	1
64	E677	KEY	1	123	EGR549A	1ST PINION GEAR ASS'Y	1
65	EB6901	METAL SLEEVE 6901	1	124	MC333309	METAL CASE	1
66	EM071	MOTOR GEAR	1	125	E6130	CONNECTOR 220V	1
67	EGM658	RETAINING RING C-TYPE DIA 12	1	126	PSDM2	SCREW DRIVER	1

ANY PART NOT LISTED IS A COMPONENT OF AN ASSEMBLY AND IS NOT SOLD SEPARATELY