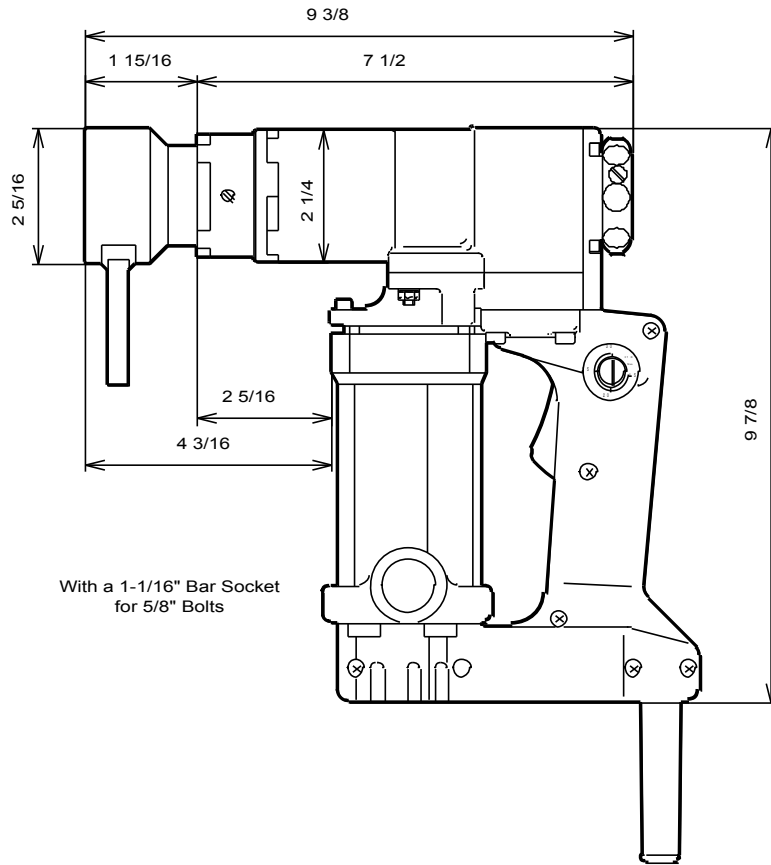


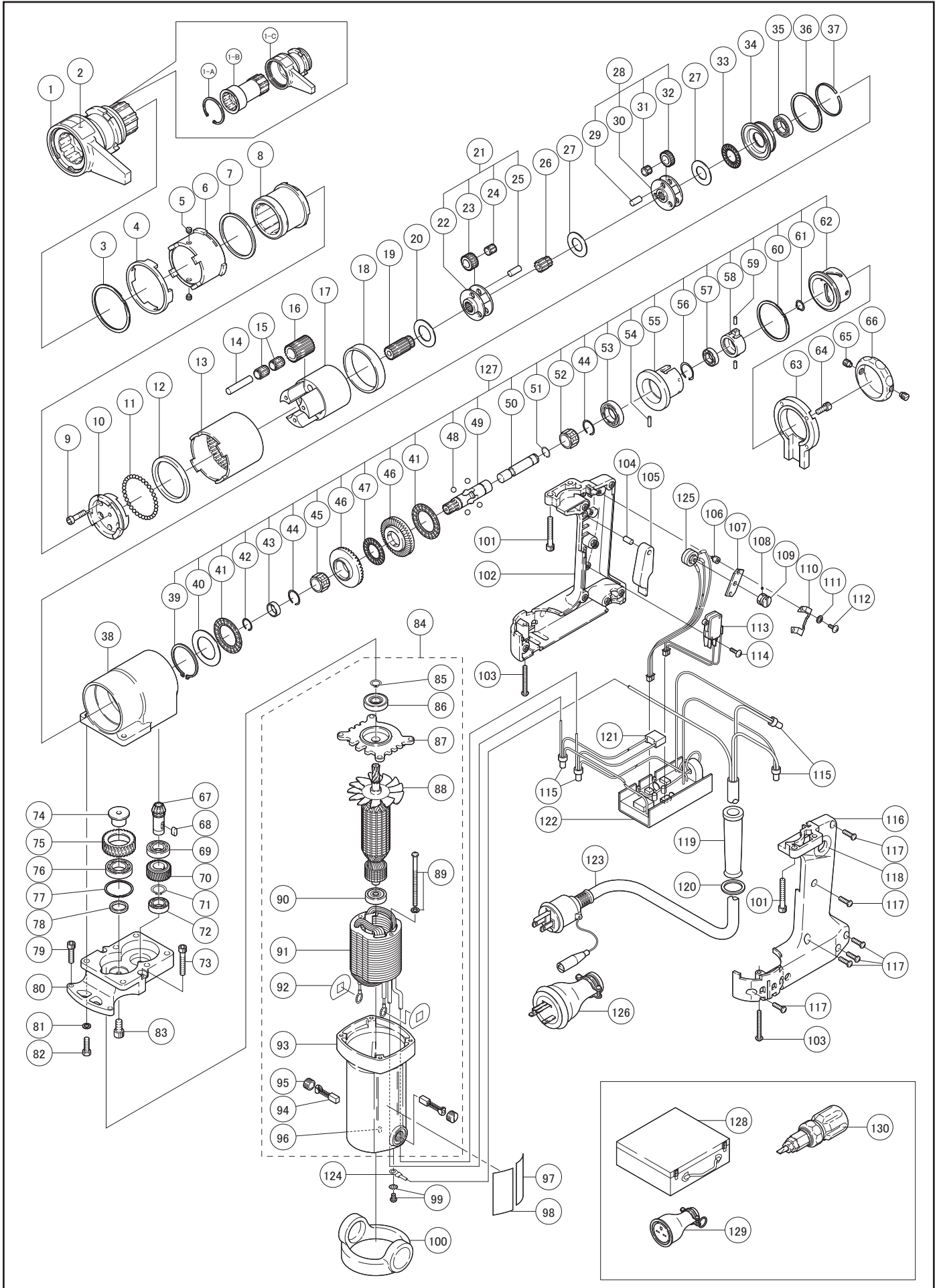
Model SR31E

Specification & Dimensions (Inch)



LeJeune Bolt Company		Accessories & Sockets
Model	SR31E	(1) Screw Driver (1) Metal Case (1) Instruction Manual (1) Bar Socket
Frequency	50-60Hz	
Voltage	115V	
Max. Current	13.5A	Available Bar Sockets
Max. Power	1100W	MRU27T - 5/8"
Rated Max. Torque	220ft.lbs.	MRU32T - 3/4"
Controllable Torque	110 ft.lbs. ~ 220 ft.lbs.	MRUB46Z - 7/8"
Repeated Accuracy	±5%	MRU41T - 1"
Rated No-load Speed	31min ⁻¹	
Noise Vibration Level	Sound Pressure Level 84dB(A), Sound Power Level 95dB(A) Vibration Level 2.5m/s ² or below	
Fully Tensioned	A325 - 5/8"	
Snug Tight	A325 - 3/4", 7/8, 1" / A490 - 5/8", 3/4", 7/8, 1"	
Weight	9.5 lbs.	
Extension cord	Refer to Instruction Manual	LeJeune Bolt Company 3500 West Highway 13, Burnsville, MN 55337 800-872-2658
Product Identification	As Rating Plate	3655 Placentia Court, Chino, CA 91710 877-684-4091
Remarks	Warm up procedure with no-load should be carried out at least 5 minutes before operation.	www.lejeunebolt.com www.tightenright.com

TONE TONE CO., LTD.



Part No.	Tone Code	Description	Qty	Part No.	Tone Code	Description	Qty
2	Y69300	BAR SKT WARNING LABEL	1	71	EGM658	RETAINING RING C-TYPE DIA 12	1
3	E314M	SPIROLOX FRS-52	1	72	EB6801	METAL SLEEVE 6801	1
4	Y73500	BAYONET LOCK	1	73	Y44030	HSH BOLT M4X30	2
5	E316	SET SCREW	2	74	EM060	IDLE PIN	1
6	E316M	OUTER SOCKET HOLDER	1	75	EM061	MOTOR IDLE GEAR	1
7	E317M	BUSH 46X52X2	1	76	EB6902	METAL SLEEVE 6902	1
8	E318M	INNER SOCKET HOLDER ASS'Y	1	77	EM063	SPIROLOX FRR-28	1
9	E321	HSH REAMER BOLT	3	78	EGM666	BUSH 15X19X2.6	1
10	E322M	SPIDER	1	79	Y44025	HSH BOLT M4X20	2
11	E323	STEEL BALL 3/16"	31	80	Y69973	BRACKET	1
12	E324	BUSH 44X52X3.7	1	81	E877	SPRING WASHER M5	2
13	E325M	INTERNAL GEAR	1	82	EGM669	HEX BOLT M5X16	2
14	E328M	3RD GEAR PIN	3	83	EGM667	HSH BOLT M5X12	1
15	E327	NEEDLE CAGE KT81113	6	84A	E6991A	MOTOR ASS'Y 115V	1
16	E326	3RD IDLE GEAR	3	84B	E69922A	MOTOR ASS'Y 220V	1
17	E330	GEAR CASE	1	85	EGM03M	RETAINING RING C-TYPE DIA 9	1
18	E329	BUSH 47X52.27X10	1	86	EB629DD	METAL SLEEVE 629DD	1
19	E332	3RD PINION GEAR	1	87	E61021	METAL SLEEVE BRACKET	1
20	E331	THRUST WASHER AS1831	1	88A	E6103A	ARMATURE 115V	1
21	E333A	2ND IDLE GEAR ASS'Y	1	88B	E61033A	ARMATURE 220V	1
22	E333	2ND CAGE	1	89	Y44873	CRPH SCREW M4X65 W/H WASHER	2
23	E334	2ND IDLE GEAR	3	90	EB627ZZ	METAL SLEEVE 627ZZ	1
24	E335	NEEDLE CAGE KT6910	3	91A	E6106A	STATOR 115V	1
25	E336	2ND GEAR PIN	3	91B	E61063A	STATOR 220V	1
26	Y12715	2ND PINION GEAR	1	92	Y55105	INSULATING WASHER	2
27	E337	THRUST WASHER AS1528	2	93A	E6107A	STATOR SPIDER ASS'Y 115V	1
28	E339A	1ST IDLE GEAR ASS'Y	1	93B	E610722A	STATOR SPIDER ASS'Y 220V	1
29	E342	1ST GEAR PIN	3	94	E6114	CARBON BRUSH	2
30	E339	1ST CAGE	1	95	E6115	BRUSH CAP	2
31	E649	NEEDLE CAGE KT697	3	96	E895	RUBBER PLUG	1
32	E340	1ST IDLE GEAR	3	97	Y08580	WARNING LABEL	1
33	E652	METAL SLEEVE NTB1528	1	98A	Y73905	RATING PLATE 115V	1
34	E346	FRICITION DISK	1	98B	Y77907	RATING PLATE 220V	1
35	EB6802	METAL SLEEVE 6802	1	99	Y44855	CRPH SCREW M4X6 W/H WASHER	1
36	EGM637	SPIROLOX RR-168	1	100	E6116	CUSHION RUBBER	1
37	EGM638	SPIRO WASHER	1	101	IW18	HSH BOLT M5X35	4
38	EGM639	HOUSING	1	102	Y73950	GRIP	1
39	EGM640	RETAINING RING C-TYPE DIA 35	1	103	EGM668	CRPH SCREW M4X35	2
40	E156	THRUST WASHER AS2542	1	104	EM095	PIN H7B 5X18	1
41	E155	METAL SLEEVE NTB2542	2	105	EM096	SWITCH LEVER	1
42	EGM642	CIRCLIP IKO WR12	1	106	Y73400	SPACER SQ-5	2
43	EGM643	BUSH 12.2X15X5.2	1	107	Y73650	SET BOARD	1
44	EGR544	CIRCLIP IKO WR15	2	108	Y46133	CAVITY HSH SET SCREW M2.6X3	2
45	Y43170	NEEDLE CAGE KT15199	1	109	Y73660	DIAL	1
46	EGR548	BEVEL GEAR	2	110	Y73670	SET SPRING	1
47	EGR551	METAL SLEEVE NTB1831	1	111	Y44307	SPRING WASHER M3	2
48	E627	STEEL BALL 7/32"	4	112	Y46116	CRPH SCREW M3X6	2
49	Y73550	1ST PINION GEAR	1	113	Y65883	TRIGGER SWITCH V-215-1CL6	1
50	EGR557	CHANGE SPOOL	1	114	Y44715	CRPH SCREW M3X14	2
51	EGR558	CIRCLIP IKO WR10	1	115	Y28340	INSULATED CONNECTOR 2-SD	4
52	EGR547	NEEDLE CAGE KT151910	1	116	Y73960	GRIP COVER	1
53	EB6902	METAL SLEEVE 6902	1	117	Y44860	CRPH SCREW M4X14	7
54	EGR555	NEEDLE PIN 3X11.8A	1	118A	Y73690	GRADUATION LBF.FT	1
55	EGR554	SPOOL GUIDE	1	118B	Y73680	GRADUATION N.M	1
56	EGR559	RETAINING RING C-TYPE IRTW-19	1	119	EM21092	CORD ARMOUR	1
57	511-1020	METAL SLEEVE 6800	1	120	EM2110	CORD ARMOUR WASHER	1
58	EGR561	SPOOL HOLDER	1	121	E6121	CONDENSER PAB 104	1
59	EGR562	GUIDE PIN	2	122A	Y65880	CONTROL BASE ASS'Y 115V	1
60	EM053	SPIROLOX FRR-45	1	122B	Y65888	CONTROL BASE ASS'Y 220V	1
61	Y40010	RETAINING RING C-TYPE DIA 10	1	123A	EM054H1	CORD ASS'Y 115V	1
62	EGR564	CHANGE DRUM	1	123B	EM054H2	CORD ASS'Y 220V	1
63	EGR565	HOUSING COVER	1	124	Y30910	INSULATED TERMINAL TMEV2-4	1
64	EGM653	HSH BOLT M4X12	4	125	Y23603	VOLUME ASS'Y RV16YN	1
65	EGR568	CLICK PLUNGER ASS'Y	2	126	E6127	PLUG 220V	1
66	Y73610	CHANGE GRIP	1	127	E73550A	1ST PINION GEAR ASS'Y	1
67	E676	PINION BEVEL GEAR	1	128	MC333309	METAL CASE	1
68	E677	KEY	1	129	E6130	CONNECTOR 220V	1
69	EB6901	METAL SLEEVE 6901	1	130	PSDM2	SCREW DRIVER	1
70	EM071	MOTOR GEAR	1				

ANY PART NOT LISTED IS A COMPONENT OF AN ASSEMBLY AND IS NOT SOLD SEPARATELY